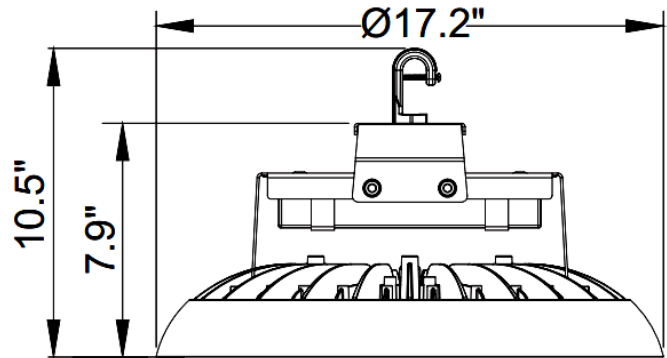


DIMENSIONS:

17.2"(D) x 10.5"(H)



ULHB-EHL-300W-50K

LED EXTRA HIGH-LUMEN UFO HIGH BAY

Ideal for general site lighting, alleys, loading docks, doorway, pathway and parking areas.

ELECTRICAL SPECIFICATIONS:

- Voltage: 120-277VAC 50/60Hz
- Wattage: 300W
- Power factor: >0.9
- Efficacy: 150LM/W
- THD: <20%

HOUSING SPECIFICATIONS:

- Housing: ACD12 aluminum heat sink, SUS black plate. outdoor powder coating
- Aluminum LED Board: High conductive, waterproof, aging resistant, salt mist resistance, long-life
- Cord type: 6' SJTW 18/3 AWG cable
- Operating temperature: -4°F ~ 122°F
- Suitable for Wet Locations

CERTIFICATIONS: UL, DLC



MODEL	WATTS	VOLTAGE	LUMENS	COLOR TEMP
ULHB-EHL-300W-50K	300W	120~277V AC	45000 LM	5000K

LIGHTING SPECIFICATIONS:

- Dimming: 0~10Dimmable
- Total lumens: 45000LM
- Color temperature: 3000K/4000K/5000K
- Color rendering index: >80
- Beam angle: 110°

WARRANTY: 7 years



ULHB-EHL-300W-50K

LED HIGH-LUMEN UFO HIGH BAY

MODEL	WATTS	VOLTAGE	LUMENS	COLOR TEMP
ULHB-EHL-300W-50K	300W	120~277V AC	45000 LM	5000K

OPTIONAL ACCESORIES:



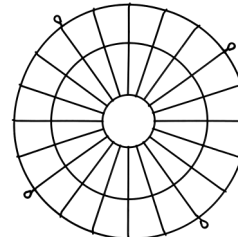
ULHB-PCR-200/240/300



ULHB-ALR-200/240/300



ULHB-90KIT-200/240/300



ULHB-WG-200/240/300



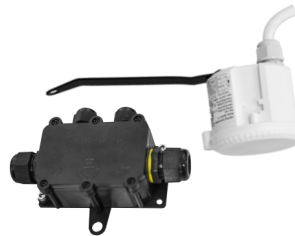
ULHB-SC-200/240/300



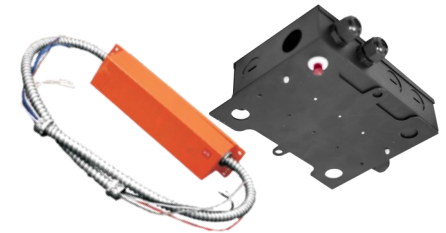
ULHB-PCC-200/240/300



ULHB-SMB-200/240/300



ULHB-SK



ULHB-EMK

MODEL	DESCRIPTION
ULHB-PCR-200/240/300	Polycarbonate Reflector for 200W & 240W & 300W
ULHB-ALR-200/240/300	Aluminum Reflector for 200W & 240W & 300W
ULHB-90KIT-200/240/300	90° Degree Reflector and Glass Kit for 200W & 240W & 300W (Conversion from default 110° beam angle)
ULHB-WG-200/240/300	Wire Guard for 200W & 240W & 300W
ULHB-SC-200/240/300	Safety Cable for 200W & 240W & 300W
ULHB-PCC-200/240/300	Polycarbonate Cover for 200W & 240W & 300W (for ULHB-PCR-200/240/300 only) - Increases heat captured in the reflector. Not recommended when not necessary.
ULHB-SMB-200/240/300	Surface Mount Bracket for 200W & 240W & 300W
ULHB-SK	Ultrasonic Bi-Level (Dimming) Motion Sensor Kit for 120~277V UFO High Bays. Includes special junction box (mounts on fixture), auxiliary cable & push-in connectors
ULHB-EMK	Emergency Battery Backup Kit for 120~277V UFO High Bays (All wattages) Emergency output power: 11W~28W, Emergency operation: ≥90 mins., Recharge: 48 Hrs. Includes special junction box with test button (mounts on fixture), auxiliary cables & splicers & push-in connector



ULHB-EHL-300W-50K

LED HIGH-LUMEN UFO HIGH BAY

MODEL	WATTS	VOLTAGE	LUMENS	COLOR TEMP
ULHB-EHL-300W-50K	300W	120~277V AC	45000 LM	5000K

0~10V DIMMER FOR ULHB:

MANUFACTURER OF BRAND	MODEL NUMBER
Lutron	DVSTV
Lutron	DVTV
Lutron	DS710
Cooper	SF10P
Hubbell	LHD-IRS3-N-WH

